

# Roof Rack and Ladders

Fit Guide - Roof Rack and Awning Adapter	164
Thule SmartClamp System	166
Thule SmartClamp System for TO 6300 Pack	167
Thule SmartClamp System Short	168
Overview Ducato Jumper Boxer Movano > 2022 / ProAce Max > 2023 H2	169
Thule Transformation Kit for SmartClamp System Ducato < 2017	170
Thule Probar Rapid	170
Thule Probar Fixpoint Evo	172
Thule Adapter TO 6300/6200 + Sealing Kit for Roof Rack	173
Thule Van Ladder 9 Steps	174
Thule Ladder Fixation Kit	175
Thule Roof Rails	176
Thule Ladder 4 Steps	177
Thule Ladder 5 Steps	177
Thule Ladder 6 Steps	178
Thule Ladder Deluxe 6 Steps	178
Thule Ladder 10 Steps	179
Thule Ladder Deluxe 11 Steps	179

# Fit Guide - Roof Rack & Awning Adapter

**Checklist:**

- My Van is (based on) a H2 Fiat Ducato, Peugeot Boxer or Citroën Jumper, Opel Movano (> 2022), Toyota ProAce Max (> 2023)
- Model > June 2006
- The roof should be clear of obstacles within 10 cm from the fix points

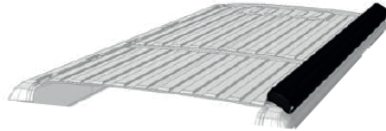
The size of my van is >

**L2H2**

Length: 5.4 m / Height: 2.5 m



A - I would like an awning



TO 6300 Pack - Colour 1	302420
TO 6300 Pack - Colour 2	302425
TO 6300 Pack - Colour 3	302430
TO 6300 Pack - Colour 4	302439

B - I would like a roof rack



Thule SmartClamp System	301640
Or in case of obstacles: Thule SmartClamp System Short	303125
Thule ProBar Rapid (2 pcs)	301647 (high) 301648 (low)

C - I would like an awning and a roof rack



Step 1: Choose your awning (see A)	
Step 2: Order Thule SmartClamp System for TO 6300 Pack or (in case of obstacles): Thule SmartClamp System Short	301643 (L2H2) 303125
Thule ProBar Rapid (2 pcs)	301647 (high) 301648 (low)

D - I have an awning (1) and would like to expand with a roof rack



Thule SmartClamp System	301643 (2)
Or in case of obstacles: Thule SmartClamp System Short	303125
Thule ProBar Rapid (2 pcs)	301647 (high) 301648 (low)

(1) only compatible with Thule Omnistor Roof Awnings  
(2) for older Thule Ducato adapters (two-piece adapter) also order Thule Transformation Kit for Thule SmartClamp System Ducato < 2017 - 301646

E - I have a roof rack and would like to expand with an awning



Awning Thule Omnistor 6300 3.25 m + adapter 301651

In case of Thule SmartClamp System Short: See A

**Awning colour 1:**

Awning cassette: Anodised  
Caps: Black  
Fabric: Mystic Grey 31



**Awning colour 2:**

Awning cassette: Anodised  
Caps: Grey  
Fabric: Mystic Grey 31

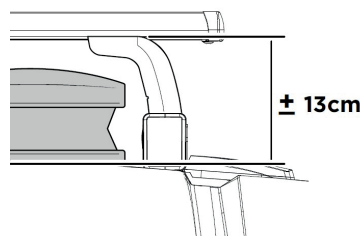


**Awning colour 3:**

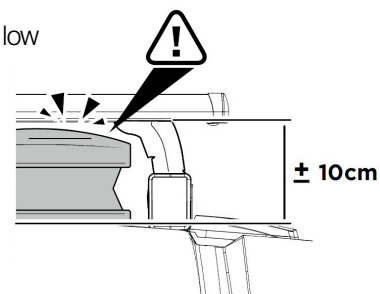
Awning cassette: Anthracite  
Caps: Black  
Fabric: Mystic Grey 31

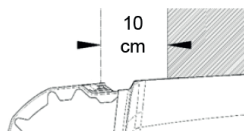


Thule ProBar Pack Rapid - high



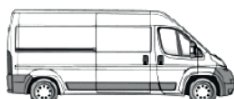
Thule ProBar Pack Rapid - low





### L3H2

Length: 6.0 m / Height: 2.5 m



### L4H2

Length: 6.4 m / Height: 2.5 m



TO 6300 Pack - Colour 1	302421
TO 6300 Pack - Colour 2	302426
TO 6300 Pack - Colour 3	302431
TO 6300 Pack - Colour 4	302440

TO 6300 Pack - Colour 1	302422
TO 6300 Pack - Colour 2	302427
TO 6300 Pack - Colour 3	302432
TO 6300 Pack - Colour 4	302441

Thule SmartClamp System	301641
Or in case of obstacles: Thule SmartClamp System Short	303125
Thule Probar Rapid (2 pcs)	301647 (high) 301648 (low)

Thule SmartClamp System	301642
Or in case of obstacles: Thule SmartClamp System Short	303125
Thule Probar Rapid (2 pcs)	301647 (high) 301648 (low)

Step 1: Choose your awning (see A)	
Step 2: Order Thule SmartClamp System for TO 6300 Pack or (in case of obstacles): Thule SmartClamp System Short	301644 303125
Thule Probar Rapid (2 pcs)	301647 (high) 301648 (low)

Step 1: Choose your awning (see A)	
Step 2: Order Thule SmartClamp System for TO 6300 Pack or (in case of obstacles): Thule SmartClamp System Short	301645 303125
Thule Probar Rapid (2 pcs)	301647 (high) 301648 (low)

Thule SmartClamp System	301643 (2)
Or in case of obstacles: Thule SmartClamp System Short	303125
Thule Probar Rapid (2 pcs)	301647 (high) 301648 (low)

Thule SmartClamp System	301643 (2)
Or in case of obstacles: Thule SmartClamp System Short	303125
Thule Probar Rapid (2 pcs)	301647 (high) 301648 (low)

(1) only compatible with Thule Omnistor Roof Awnings  
 (2) for older Thule Ducato adapters (two-piece adapter) also order Thule Transformation Kit for Thule SmartClamp System Ducato < 2017 - 301646

(1) only compatible with Thule Omnistor Roof Awnings  
 (2) for older Thule Ducato adapters (two-piece adapter) also order Thule Transformation Kit for Thule SmartClamp System Ducato < 2017 - 301646

Awning Thule Omnistor 6300 3.75 m + adapter 301652

Awning Thule Omnistor 6300 4.00 m + adapter 301652

In case of Thule SmartClamp System Short: See A

In case of Thule SmartClamp System Short: See A

### Awning colour 4

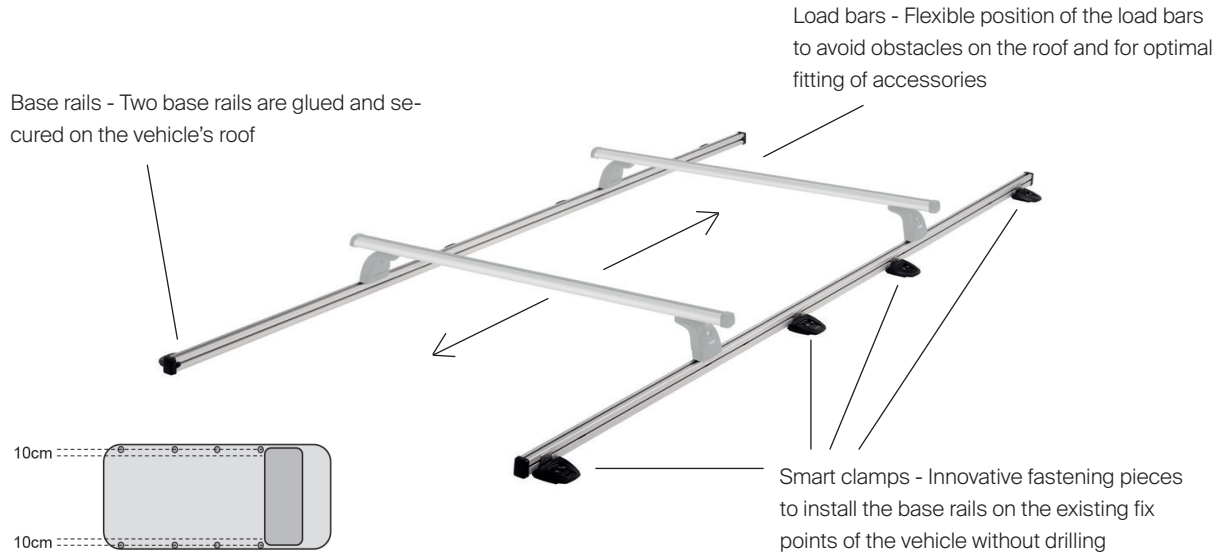
Awning cassette: White  
 Caps: White  
 Fabric: Mystic Grey 31



### LOAD INFO

- Maximum load: 75 kg per set of 2 load bars
- L2H2: maximum total load 150 kg
- L3H2: maximum total load 200 kg
- L4H2: maximum total load 200 kg
- Short: maximum total load 100 kg

# Thule SmartClamp System



## INFO

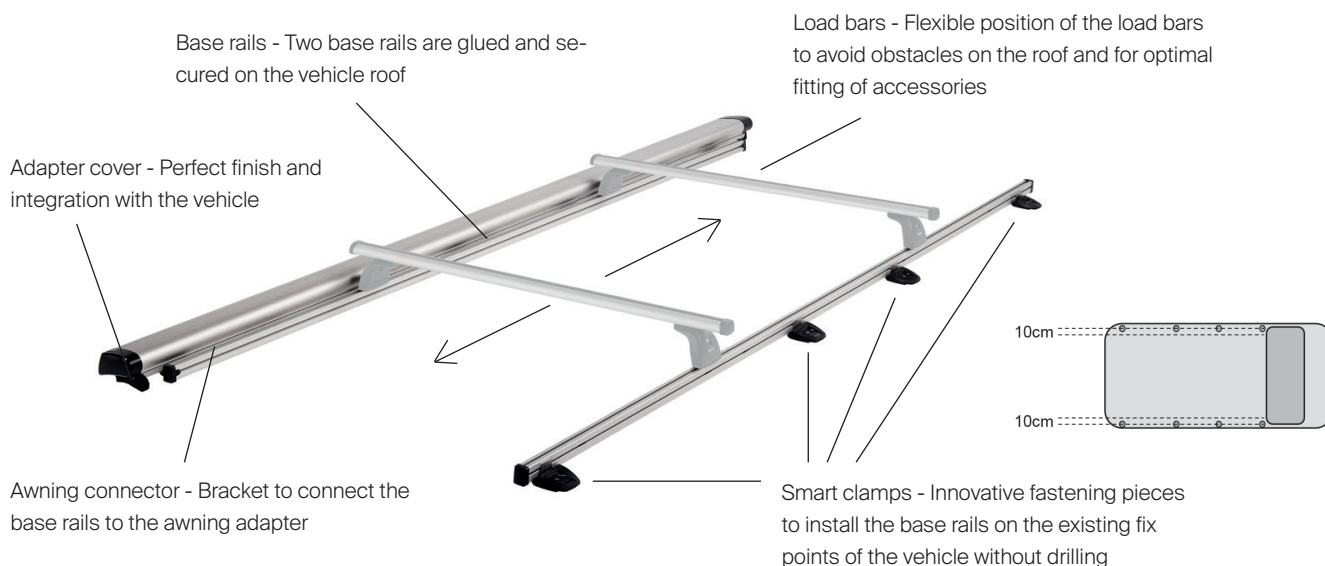
- Easy installation without drilling by mounting the smart clamps to the van's existing fix points
- Base rails are glued onto the vehicle roof and connected to the smart clamps
- Possible to expand the roof rack with a Thule awning, retrofit installation possible (301651/301652)

## FEATURES

- Suitable for H2 Fiat Ducato, Peugeot Boxer and Citroën Jumper vans from 2007 onwards, Opel Movano > 2022, Toyota ProAce Max > 2023
- Van roof should be clear of obstacles within 10 cm of the fix points
- Option to add two or more load bars to allow fitting of roof accessories such as roof boxes and carriers for sports gear (needs to be bought separately)
- Various lengths available for various vehicle models
- Content set:
  - L2H2 (301640) 2x base rails of 2.83 m (left/right) + 6x smart clamps + fixation material
  - L3H2 (301641) 2x base rails of 3.44 m (left/right) + 8x smart clamps + fixation material
  - L4H2 (301642) 2x base rails of 3.78 m (left/right) + 8x smart clamps + fixation material

MODEL	VEHICLE SIZE	MAX. LOAD ROOF RACK	AWNING LENGTH
Fiat Ducato, Peugeot Boxer & Citroën Jumper vans from 2007 onwards, Opel Movano > 2022, Toyota ProAce Max > 2023	L2H2 (L 5.4 m - H 2.5 m)	150 kg	3.25 m
	L3H2 (L 6.0 m - H 2.5 m)	200 kg	3.75 m
	L4H2 (L 6.4 m - H 2.5 m)	200 kg	4.00 m
301640	Thule SmartClamp System - L2H2		Weight: 9 kg
301641	Thule SmartClamp System - L3H2		Weight: 11 kg
301642	Thule SmartClamp System - L4H2		Weight: 12 kg

# Thule SmartClamp System for TO 6300 Pack



## INFO

- Mounting set if roof rack is bought in combination with the TO 6300 Pack
- Easy installation without drilling by mounting the smart clamps to the van's existing fix points and awning connector to the awning adapter
- Base rails are glued onto the vehicle roof and connected to the smart clamps

## FEATURES

- Suitable for H2 Fiat Ducato, Peugeot Boxer and Citroën Jumper vans from 2007 onwards, Opel Movano > 2022, Toyota ProAce Max > 2023
- Van roof should be clear of obstacles within 10 cm of the fix points
- Compatible with the Thule Omnistor 6300 Pack (needs to be bought separately)
- Compatible with a Thule awning, mounted with the Thule Ducato adapter > 2017 (301649/301650)
- Compatible with older Thule Ducato adapters (2-pieces) with the Thule Transformation Kit for Thule SmartClamp System Ducato < 2017 (301646)
- Option to add two or more load bars to allow fitting of roof accessories such as roof boxes and carriers for sportsgear (need to be bought separately)
- Various lengths available for various vehicle models
- Content set:
  - L2H2 (301643) 2x base rails of 2.83 m (left/right) + 3x smart clamps + 3x awning connectors + fixation material
  - L3H2 (301644) 2x base rails of 3.44 m (left/right) + 4x smart clamps + 4x awning connectors + fixation material
  - L4H2 (301645) 2x base rails of 3.78 m (left/right) + 4x smart clamps + 4x awning connectors + fixation material

MODEL	VEHICLE SIZE	MAX. LOAD ROOF RACK	AWNING LENGTH
Fiat Ducato, Peugeot Boxer & Citroën Jumper vans from 2007 onwards, Opel Movano > 2022, Toyota ProAce Max > 2023	L2H2 (L 5.4 m - H 2.5 m)	150 kg	3.25 m
	L3H2 (L 6.0 m - H 2.5 m)	200 kg	3.75 m
	L4H2 (L 6.4 m - H 2.5 m)	200 kg	4.00 m
301643	Thule SmartClamp System for TO 6300 Pack - L2H2		Weight: 9 kg
301644	Thule SmartClamp System for TO 6300 Pack - L3H2		Weight: 11 kg
301645	Thule SmartClamp System for TO 6300 Pack - L4H2		Weight: 12 kg
301646	Thule Transformation Kit for Thule SmartClamp System Ducato < 2017		Weight: 0.5 kg

# Thule SmartClamp System Short

## INFO

- Flexible roof rack solution for vans with accessories within 10 cm of the side installed on the roof
- Fit roof bar accessories and carriers for sports gear on your roof (sold separately)
- Suitable for Ducato | Jumper | Boxer, Opel Movano  $\geq$  2022 H2 and Toyota ProAce Max > 2023
- Carry loads up to 100 kg on your roof
- Easy installation without drilling by mounting the smart clamps on 4 of the van's existing fix points
- Important: The van roof should be clear of obstacles within 10 cm of the sides where the rails will be installed
- Compatible with the Thule Omnistor 6300 Pack (sold separately)
- Compatible with a Thule awning, mounted with the Thule Ducato adapter > 2017 (301649/301650)
- The set contains:
  - 2 x Base rails of 1,64 m
  - 4 x SmartClamps
  - 2 x Awning connection plates
  - Fixation material

303125	Thule SmartClamp System Short
--------	-------------------------------



**Ducato | Jumper | Boxer | Movano ≥ 2022 H2 | Toyota ProAce Max > 2023**

	L2 (5400)	L3 (6000)	L4 (6400)
	No awning installed	No awning installed	No awning installed
	Awning installed	Awning installed	Awning installed
<b>4 point system - max. 100 kg (2 x Thule ProBar)</b>	<p><b>303125</b></p> <p>Fixation on fix points row: 1+2 2+3</p>	<p><b>303125</b></p> <p>Fixation on fix points row: 1+2 3+4</p>	<p><b>303125</b></p> <p>Fixation on fix points row: 1+3 2+4 4+5</p>
<b>6 point system - max. 150 kg (4 x Thule ProBar)</b>	<p>301640</p> <p>Fixation on fix points row: 1+2+3</p>	<p>301640</p> <p>Fixation on fix points row: 1+2+3 2+3+4</p>	<p>301640</p> <p>Fixation on fix points row: 1+3+4 3+4+5</p>
<b>8 point system - max. 200 kg (6 x Thule ProBar)</b>		<p>301641</p> <p>Fixation on fix points row: 1+2+3+4</p>	<p>301642</p> <p>Fixation on fix points row: 1+3+4+5</p>

# Thule Transformation Kit for Thule SmartClamp System Ducato < 2017

## INFO

- When you already have an awning installed and would like to expand it with a roof rack
- Permits you to fit the Thule SmartClamp System to an older Ducato two-piece awning adapter
- Weight: 0.5 kg



## RELATED PRODUCT

- Thule SmartClamp System for TO 6300 Pack

301646	Thule Transformation Kit for Thule SmartClamp System Ducato < 2017
--------	--

# Thule ProBar Rapid



Thule ProBar - High  
301647



Thule ProBar - Low  
301648

## INFO

- Compatible with the Thule SmartClamp System on the vehicle roof
- Flexible position of the load bars on the base rails to avoid obstacles on the roof
- Fits all Thule roof accessories and carriers compatible with the Thule ProBar
- Optional Thule Van Ladder 9 Steps to provide easy access to roof rack and roof-mounted accessories
- The load bars can be locked with a key to prevent theft

LOAD BARS	HEIGHT (H)	LENGTH (L)	WEIGHT	MAX. LOADING WEIGHT
High	13 cm	1.50 m	8.3 kg per set	75 kg per set
Low	10 cm	1.50 m	7.9 kg per set	75 kg per set

### FEATURES

- Available in two heights
- Thule ProBar - High: approx. 13 cm above roof center
- Thule ProBar - Low: approx. 10 cm above roof center
- Length: 1.50 m
- Maximum load of 75 kg per set of load bars
- Content:
  - 2x Thule ProBar + sealing rubber
  - 4x feet
  - 4x locks with 2 keys
  - fixation material
  - manual

301647	Thule ProBar - High (2 pcs)
301648	Thule ProBar - Low (2 pcs)

NOTE - Thule ProBar Flex - Low is not compatible with the Thule Hullavator Pro

### RELATED PRODUCTS

- Thule SmartClamp System
- Thule SmartClamp System for TO 6300 Pack
- Thule Van Ladder 9 Steps

### ACCESSORIES

NOTE - Fits all Thule roof accessories and carriers compatible with the Thule ProBar load bars

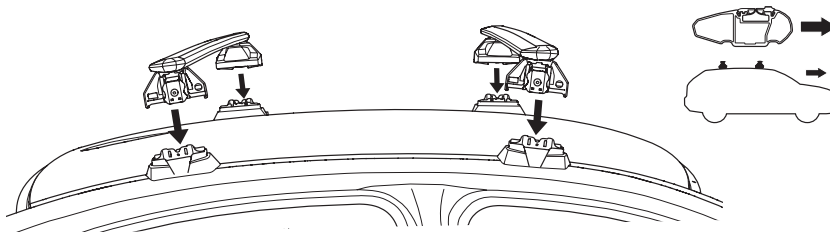
- |                          |                           |  |
|--------------------------|---------------------------|--|
| • Thule Force XT         | • Thule Portage           | • Thule SnowPack   |
| • Thule Canyon XT        | • Thule Sailboard Rack    | • Thule SkiClick   |
| • Thule Hullavator Pro   | • Thule SUP Taxi XT       | • ... See <a href="http://www.thule.com">www.thule.com</a> |
| • Thule Hull-a-Port Aero | • Thule Multipurpose Rack |  |



# Thule ProBar Fixpoint Evo

## INFO

- Easy to install roof bar set
- Removable system
- Contemporary design update
- Easy to (un)install roof bar set
- Max. load: 75 kg per set of 2 load bars
- Ergonomic torque limiter key indicates when the rack is safely and properly secured to your vehicle
- Secured with Thule One-key locks (included)
- Add the 30 mm extension kit for even more elevation in case of collision with roof windows or solar panels
- ProBars and feet can easily be removed while the remaining kit can be covered with an aesthetic cover to keep the same position for your next trip
- All-in-one pack (see content below)
- The set contains:
  - 2 x Thule ProBar 1.50 m
  - 4 x Fixpoint Evo Foot
  - 4 x Fixpoint Evo Kit
  - 4 x Fixpoint Evo Kit Cover
  - 1 x Torque Key
  - 1 x One-key Lock Set (4pcs)

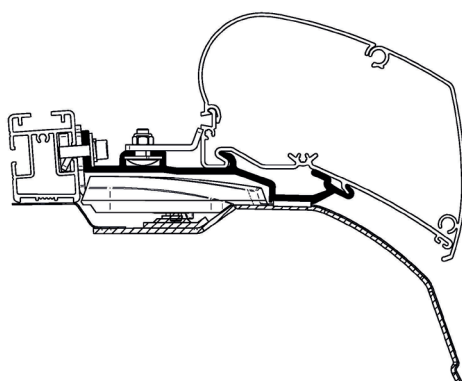


303121	Thule ProBar Fixpoint Evo Low for VW California
303124	Thule ProBar Fixpoint Evo for Ford Transit H3
710750	Thule Kit Cover

# Thule Adapter TO 6300/6200 + Sealing Kit for Roof Rack

## INFO

- Mounting kit for Thule SmartClamp System
- Adapter set + EPDM sealing + covers
- Not compatible with SmartClamp System Short



301651	Thule Adapter TO 6300/6200 + Sealing Kit for Roof Rack   Ducato L2H2
301652	Thule Adapter TO 6300/6200 + Sealing Kit for Roof Rack   Ducato L3H2 / L4H2

# Thule Van Ladder 9 Steps



## INFO

- Quick and easy access to roof rack and roof-mounted accessories
- Can easily be fastened to the vehicle wall with extra stability thanks to the included magnetic fixation kit
- Safe and stable on most terrains
- Air pressure system for safe closing
- The Thule Ladder Fixation Kit can also be used to fasten a windscreen or to hang up organizers
- Storage bags included

## FEATURES

- Complies with EN-131
- 9 steps, extendable to 2.60 m
- Open partly for lower reach
- Max. weight support: 150 kg
- Max. load for organizers: 10 kg
- Dimensions: closed LxWxH: 49 x 7 x 75 cm - open LxWxH: 49 x 7 x 264 cm
- Weight ladder: 8.1 kg
- Weight fixation kit: 1.2 kg
- Packaging size LxWxH: 65 x 13 x 80 cm
- Content:
  - Thule Van Ladder 9 Steps
  - Thule Ladder Fixation Kit
  - 4 protection patches
  - 2 protection caps
  - 2 organizer fixation parts
  - Storage bag for ladder
  - Storage bag for fixation kit with safe protection for magnetic field

301404

Thule Van Ladder 9 Steps

# Thule Ladder Fixation Kit



## INFO

- Easy to both apply on and remove from steel surfaces (for the magnetic connection a steel surface is required)
- Multi-purpose use for telescopic ladder, organizers and windscreen
- Quick and easy fixation of a telescopic ladder thanks to the pump buckle tensioning system
- Easily attach the Thule Windscreen to the vehicle side without drilling
- Easy to mount the Thule Organizers on various positions on the vehicle sides thanks to the integrated rail

## FEATURES

- Max. load for organizers: 10 kg
- Dimensions LxWxH: 66 x 10 x 8 cm
- Weight fixation kit: 1.2 kg
- Packaging size LxWxH: 15 x 15 x 73 cm
- Content:
  - Thule Ladder Fixation Kit
  - 4 protection patches
  - 2 organizer fixation parts
  - Storage bag for fixation kit with safe protection for magnetic field



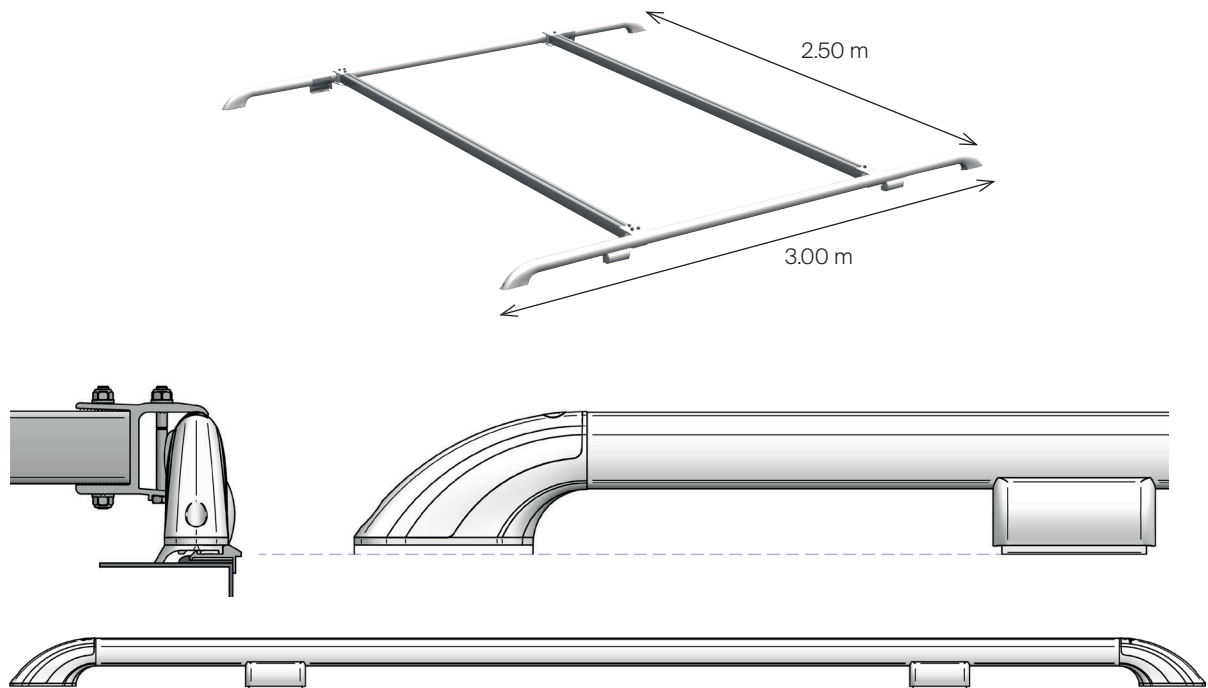
301405

Thule Ladder Fixation Kit

# Thule Roof Rails

## INFO

- Standard length 3 meters
- Easily adjustable to required length
- Optional: set of 2 accompanying cross rails in aluminium with a standard length of 2.50 m
- Loading capacity: 70 kg



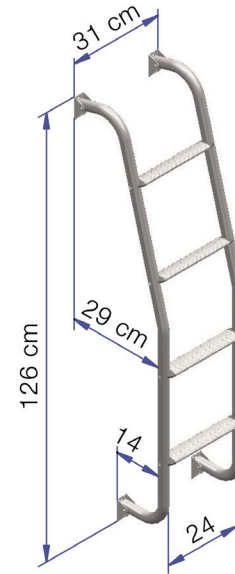
307511	Thule Roof Rails Deluxe - White lacquered (2 pcs)
307516	Thule Roof Rails Deluxe - Aluminium (2 pcs)
307499	Thule Cross Rails for Roof Rails (2 pcs)

## Thule Ladder 4 Steps

INFO

- 4 steps
- Backside mounting on a van
- Material: anodised aluminium
- Stainless steel fastening components
- Extra light and robust

307490	Thule Ladder 4 Steps
--------	----------------------

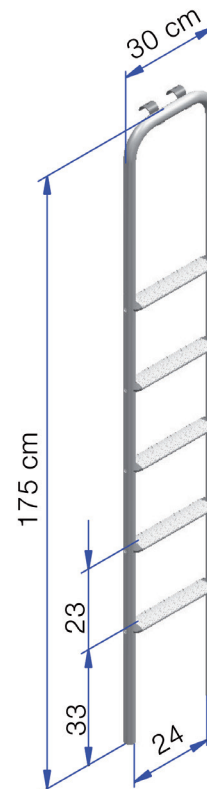


## Thule Ladder 5 Steps

INFO

- 5 steps
- For indoor use
- Material: anodised aluminium
- Stainless steel fastening components
- Extra light and robust

307492	Thule Ladder 5 Steps
--------	----------------------

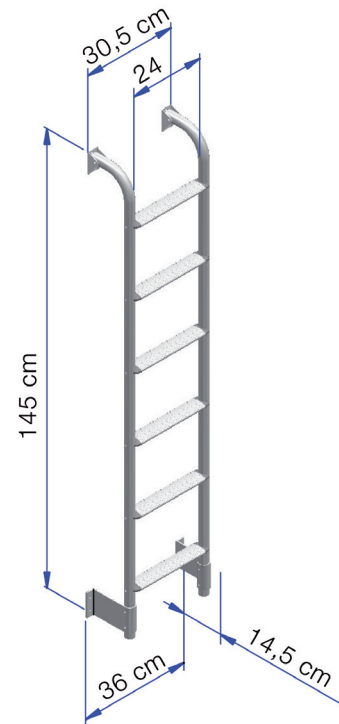


# Thule Ladder 6 Steps

## INFO

- 6 steps
- Backside mounting
- Material: anodised aluminium
- Stainless steel fastening components
- Extra light and robust

307487	Thule Ladder 6 Steps
--------	----------------------

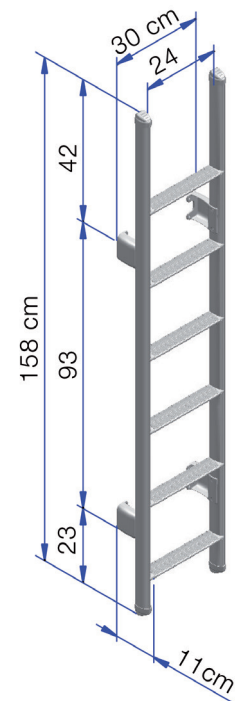


# Thule Ladder Deluxe 6 Steps

## INFO

- 6 steps
- Backside mounting
- Material: lacquered aluminium
- Stainless steel fastening components
- Extra light and robust

307496	Thule Ladder Deluxe 6 Steps
--------	-----------------------------

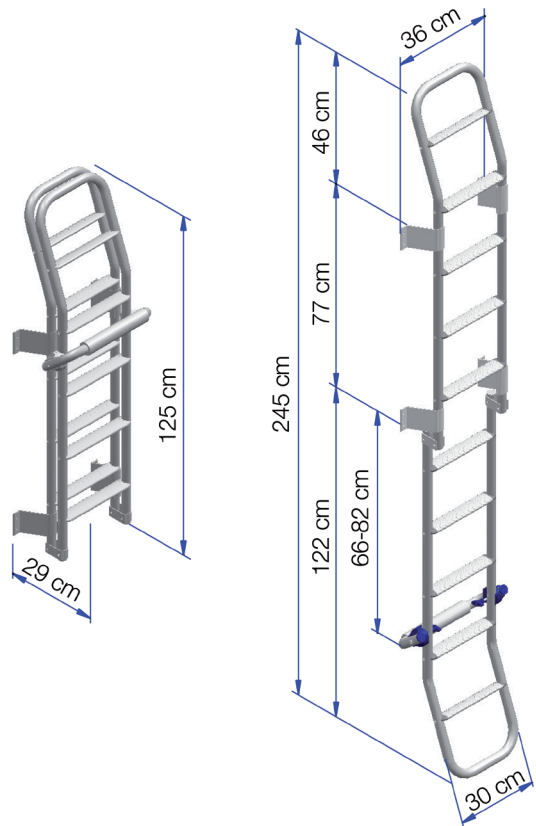


# Thule Ladder 10 Steps

INFO

- 10 steps
- Backside mounting
- Foldable
- Material: anodised aluminium
- Stainless steel fastening components
- Extra light and robust

307488	Thule Ladder 10 Steps
--------	-----------------------



# Thule Ladder Deluxe 11 Steps

INFO

- 11 steps
- Backside mounting
- Foldable
- Material: lacquered aluminium
- Stainless steel fastening components
- Extra light and robust

307497	Thule Ladder Deluxe 11 Steps
--------	------------------------------

